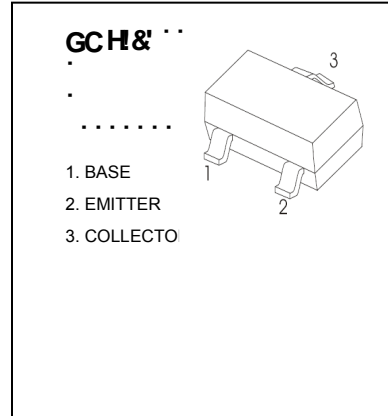


# GCH& D`UghjW9 bWUdgi `UhY Hf Ubgjghcf g

.....67, %± TRANSISTOR (NPN)



## : 95HI F9G`

- For general AF applications
- High collector current
- High current gain
- Low collector-emitter saturation voltage
- Complementary types: BC807 (PNP)

### MAXIMUM RATINGS (T<sub>a</sub>=25°C unless otherwise noted)

Symbol	Parameter	Value	Unit
V <sub>CBO</sub>	Collector-Base Voltage	50	V
V <sub>CEO</sub>	Collector-Emitter Voltage	45	V
V <sub>EBO</sub>	Emitter-Base Voltage	5	V
I <sub>C</sub>	Collector Current	500	mA
P <sub>C</sub>	Collector Power Dissipation	300	mW
R <sub>θJA</sub>	Thermal Resistance From Junction To Ambient	417	°C/W
T <sub>j</sub>	Junction Temperature	150	°C
T <sub>stg</sub>	Storage Temperature	-55~+150	°C

9 @ 7 HF ≈ 5 @ 7 < 5 F 5 7 H 9 F -GH7 G'fh1 &) °C i b`Ygg'cH Yfk jgY'gdYWjZYXL`

..... DUfLa Yhf`	Gna Vc`	HYghi WcbX]hcbg`	Ain	Typ`	Aax	Unit
7 c`YWwcf!VUgY VfyU_Xck b'j c`HU] Y`	V <sub>CBO</sub>	I <sub>C</sub> = 10μA, I <sub>E</sub> =0	50			V
7 c`YWwcf!Ya ]HfY VfyU_Xck b'j c`HU] Y`	V <sub>CEO</sub>	I <sub>C</sub> = 10mA, I <sub>B</sub> =0	45			V
9a ]HfY!VUgY VfyU_Xck b'j c`HU] Y`	V <sub>EBO</sub>	I <sub>E</sub> = 1μA, I <sub>C</sub> =0	5			V
7 c`YWwcf`W HcZZW ffYbh	I <sub>CBO</sub>	V <sub>CB</sub> = 45 V, I <sub>E</sub> =0			0.1	μA
9a ]HfY`W HcZZW ffYbh	I <sub>EBO</sub>	V <sub>EB</sub> = 4V, I <sub>C</sub> =0			0.1	μA
87`W ffYbh[ Ujb`.....	h <sub>FE(1)</sub>	V <sub>CE</sub> = 1V, I <sub>C</sub> = 100mA	100		600	
	h <sub>FE(2)</sub>	V <sub>CE</sub> = 1V, I <sub>C</sub> = 500mA	40			
7 c`YWwcf!Ya ]HfY`gUhi fU]cb'j c`HU] Y`	V <sub>CE(sat)</sub>	I <sub>C</sub> = 500mA, I <sub>B</sub> = 50mA			0.7	V
6 UgY!Ya ]HfY`gUhi fU]cb'j c`HU] Y`	V <sub>BE(sat)</sub>	I <sub>C</sub> = 500mA, I <sub>B</sub> = 50mA			1.2	V
6 UgY!Ya ]HfY`j c`HU] Y`	V <sub>BE</sub>	V <sub>CE</sub> = 1 V, I <sub>C</sub> = 500mA			1.2	V
7 c`YWyf`WUdUW]UbW`	C <sub>ob</sub>	V <sub>CB</sub> =10V, f=1MHz		10		pF
HfUbg]hcb`Z`Yei YbWri	f <sub>T</sub>	V <sub>CE</sub> = 5 V, I <sub>C</sub> = 10mA f=100MHz	100			MHz

7 @ GG= ≈ 5 HCB`C: h<sub>FE</sub>rk`

FUb`	67, %±!%`	67, %±!&`	67, %±!( \$`
FUb[ Y`	%%\$!&) \$`	% \$!( \$ \$`	&) \$!* \$ \$`
AUf_]b[ `	*5`	*6`	*7`

# Typical Characteristics

